

FLUORESCENT LIGHTING

EVF-P.. Series - Fluorescent lighting fixtures



EVF-P lighting fixtures are manufactured with an high resistance cylindrical polycarbonate lamp housing and with end cups made of corrosion resistant copper free aluminium. Polycarbonate lamp housing is a three layers-extrusion UV resistant able to grant the best protection against sun rays and related yellowing effect.

Circular shape grants the best possible "CX" factor, therefore it is less affected by wind-dusts, no flat surfaces to avoid pollution and dirty bunching.

Components and design make EVF-P lighting fixtures suitable for high corrosion environments.

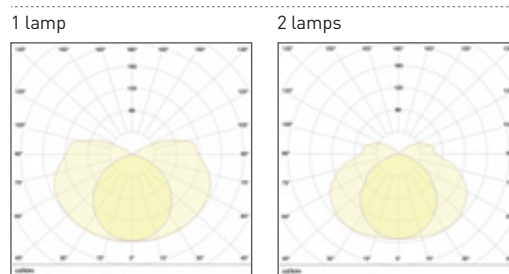
To increase further surface protection, upon request it is possible to apply an OFF-SHORE painting cycle suitable for marine environments.

All lighting fixtures are supplied ready for LOOP IN-LOOP OUT facility with 4sqmm cable.

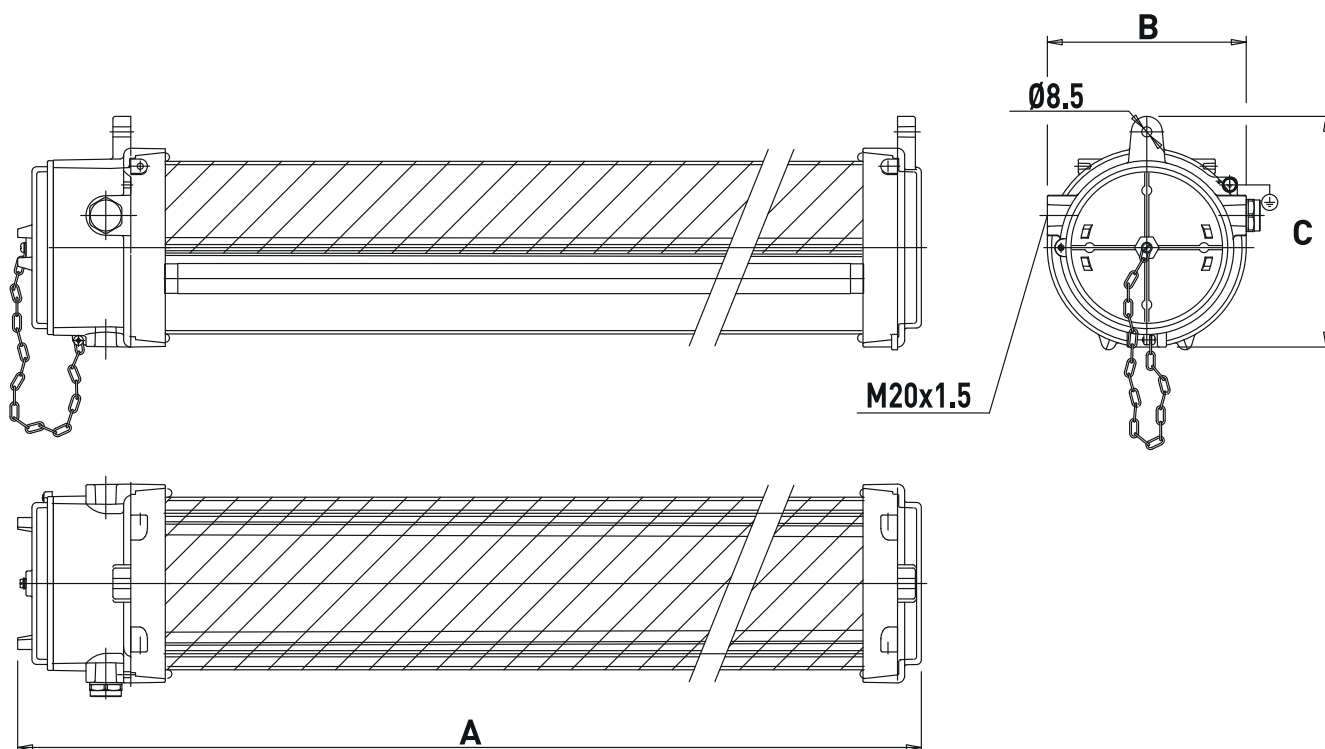
TECHNICAL FEATURES

Material	End cups in aluminium with low content of copper / Light housing in polycarbonate
IP rating	IP66
Ambient temperature range	-20°C to +55°C
Approvals	INERIS 02ATEX0039 (standard) / GOST R (marking upon request, ordering code to be required)
Marking	II 2 GD Ex e mb IIC T4 Gb (Normal service) / Ex d e mb IIC T4 Gb (Emergency service) EX de IIC T4 Gb (available upon request) Ex-tb IIIC T85°C Db IP66
Gaskets	O-ring made of Nitrile Rubber (NBR)
Surface treatment	End cups painted by green colour polyurethane painting cycle RAL6003 (other colour available upon request)
Entries	N° 2 entries M20x1,5. One plugged-off by Ex-d brass nickel chrome plated plug and relevant gasket.
Hardware and screws	AISI304 Stainless steel external hardware and screws
Lamps	EVF-P series lighting fixtures are suitable for two pins fluorescent lamps G13 socket Philips TL-D or equivalent (lamps excluded)
Ballast	High frequency electronic ballast conforming with EN 60079 – 18 and IEC 60079 – 18
Rated operation voltage (UE)	110 – 240 (normal service) - 230- 240 (Emergency service)
Frequency	0/50 – 60 Hz
Power factor	> 0,95
Accessories available upon request	AISI304 Pole mounting kit / AISI304 Ceiling / Wall mounting kit / AISI304 Suspension mounting kit / 3° bottom entry M20x1,5 / AISI304 protection guard / Mounting kit in stainless steel ASI-316
Operating principles	Available EVF-P lighting fixtures for emergency service of one tube: - 90 minutes; guarantees 60' duration with constant flux (emergency lumen factor 17%) and 30' with decreasing flux - 120 minutes (emergency lumen factor 10%) - 180 minutes; constant flux (emergency lumen factor 9%)

Photometric light curves



Dimensions EVF-P



(EVF-P) Lighting fixtures for normal service

TYPE	CODE	POWER [W]	DIMENSIONS [mm]			WEIGHT [kg]
			A	B	C	
EVF-P 118-Ex emb	A0301.500001	1X18	764	176	194	6.50
EVF-P 218-Ex emb	A0301.500002	2X18	764	176	194	6.50
EVF-P 136-Ex emb	A0301.500003	1X36	1374	176	194	8.50
EVF-P 236-Ex emb	A0301.500004	2X36	1374	176	194	8.50
EVF-P 158-Ex emb	A0301.500005	1X58	1680	176	194	9.50
EVF-P 258-Ex emb	A0301.500006	2X58	1680	176	194	10.50

(EVF-P) Lighting fixtures for emergency service

TYPE	CODE	POWER [W]	EMERGENCY DURATION	DIMENSIONS [mm]			WEIGHT [kg]
				A	B	C	
EVF-P 118 LE-P-90 Ex demb	A0302.500007	1X18	90'	764	176	194	9.00
EVF-P 118 LE-P-90 Ex demb	A0302.500008	1X18	120'	764	176	194	10.00
EVF-P 218 LE-P-120 Ex demb	A0302.500011	2X18	90'	764	176	194	9.00
EVF-P 218 LE-P-120 Ex demb	A0302.500012	2X18	120'	764	176	194	10.00
EVF-P 136 LE-P-90 Ex demb	A0302.500009	1X36	90'	1374	176	194	11.00
EVF-P 136 LE-P-120 Ex demb	A0302.500013	1X36	120'	1374	176	194	12.00
EVF-P 136 LE-P-180 Ex demb	A0302.500014	1X36	180'	1374	176	194	12.50
EVF-P 236 LE-P-90 Ex demb	A0302.500010	2X36	90'	1374	176	194	11.00
EVF-P 236 LE-P-120 Ex demb	A0302.500015	2X36	120'	1374	176	194	12.00
EVF-P 236 LE-P-180 Ex demb	A0302.500016	2X36	180'	1374	176	194	12.50
EVF-P 158 LE-P-90 Ex demb	A0302.500050	1X58	90'	1680	176	194	12.00
EVF-P 158 LE-P-120 Ex demb	A0302.500051	1X58	120'	1680	176	194	13.00
EVF-P 158 LE-P-180 Ex demb	A0302.500052	1X58	180'	1680	176	194	13.50
EVF-P 258 LE-P-90 Ex demb	A0302.500053	2X58	90'	1680	176	194	12.00
EVF-P 258 LE-P-120 Ex demb	A0302.500054	2X58	120'	1680	176	194	13.00
EVF-P 258 LE-P-180 Ex demb	A0302.500055	2X58	180'	1680	176	194	13.50