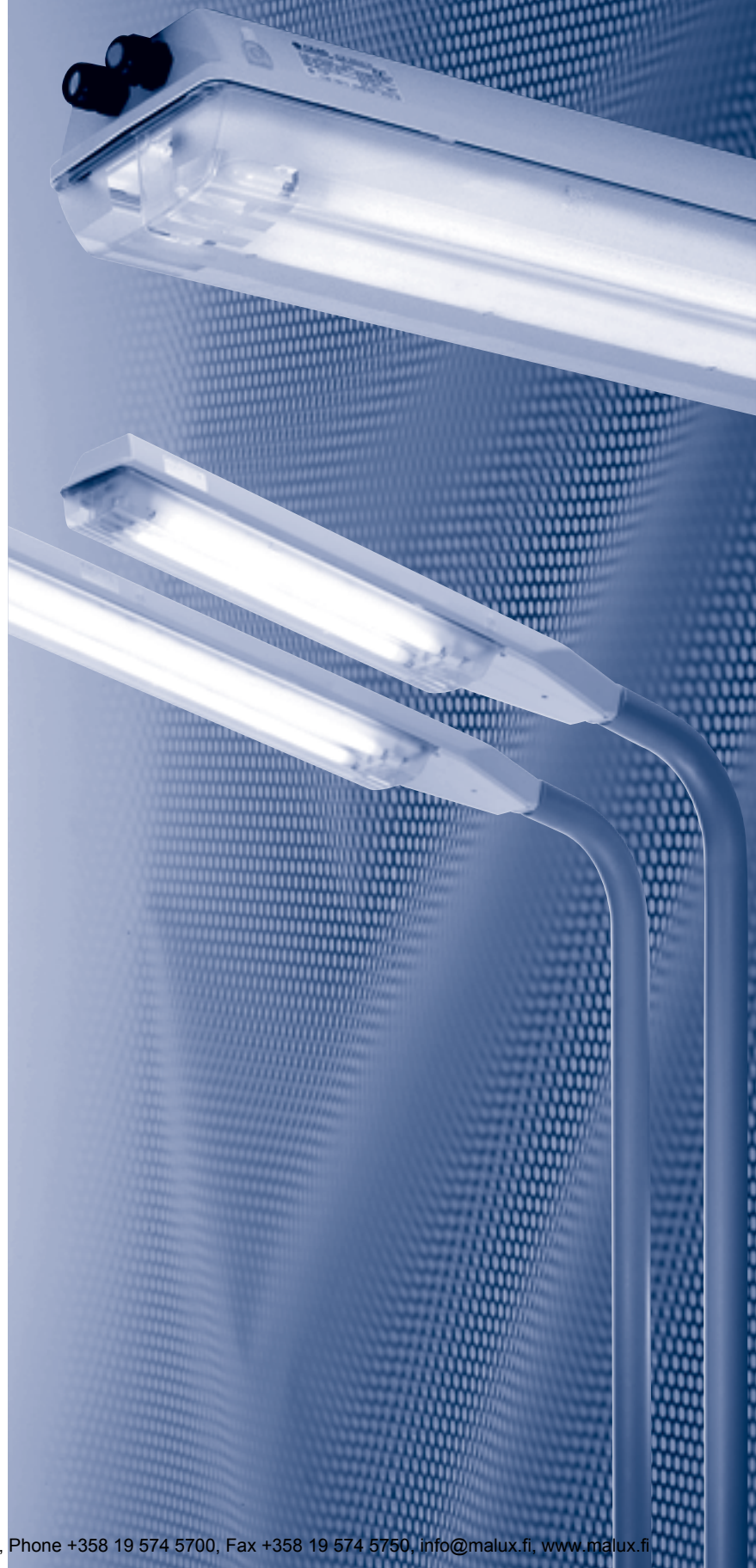


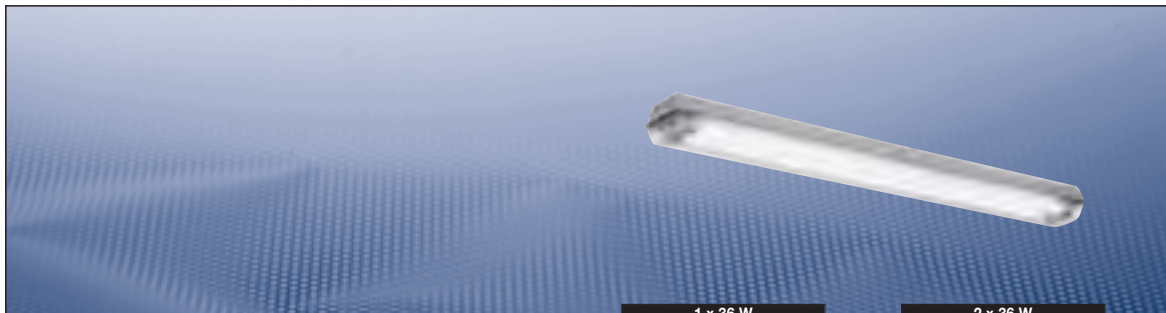
E X - L I G H T F I T T I N G S

eLLK 92... 18 W - 58 W
All plastic design for Zone 1 and 21

The eLLK 92 Ex-protected light fittings for bi-pin fluorescent lamps are fitted with an electronic ballast and conform to the ATEX Directive 94/9/EG. The modern economical ballast EVG 09 according to the latest standards (IEC 60079-7: 2006) allows a safe and economical operation of bi-pin fluorescent lamps G13 according to IEC 60081. Lamps reaching its end of life will be monitored and securely switched off (EOL-effect). The high input voltage range allows international use. Due to the standard dual channel architecture (with double lamp fittings) if one fluorescent lamp fails, the other fluorescent lamp will independently stay in operation. The standard single-sided through-wiring in connection with the variety of possibilities offers a cost efficient installation. Double-sided lock with 10, 20 or 24 latch points allows the protective bowl to be hingeable on both sides meaning the fitting can be mounted without having to pay attention to which side is the right side. Automatic switch built as a safety disconnecter according to EN 60947 (IEC 664) with an automatic switch ensuring the disconnection of all exposed components when the fitting is opened. The optional CG-S module represents an optimum solution for the individual monitoring of light fittings connected to CEAG emergency battery systems.



- Standard dual channel ballast
- Double-sided safety lock
- Safety locking system due to an integrated forced isolating switch
- Safety standard IP66
- Connection to CEAG emergency light monitoring systems possible
- International Approvals



Technical data

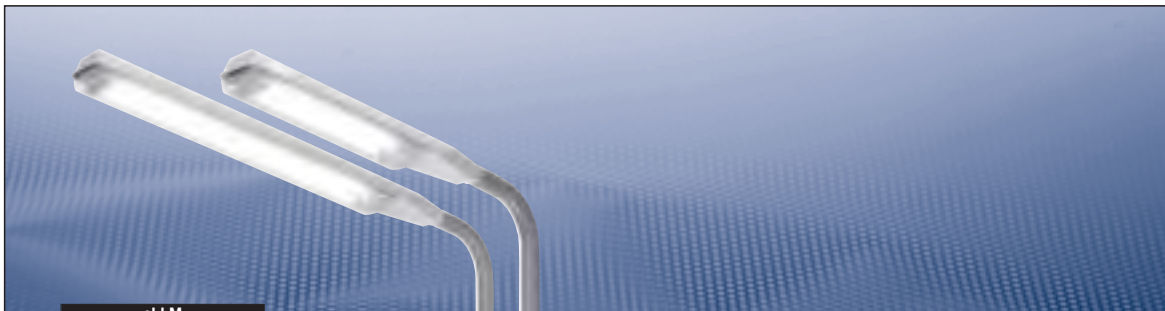
eLLK 92018/18 eLLK 92036 / eLLK 92036/36 eLLK 92058 / eLLK 92058/58	
Marking to 94/9/EC	⊕ II 2 G Ex de IIC T4 / ⊕ II 2 G Ex de mb II T4 (CG-S variant) ⊕ II 2 D Ex tD A21 IP66 T80 °C
EC-Type Examination Certificate	BVS 09 ATEX E 034
IECEX-Certificate of Conformity	IECEX BVS 09.0033
Marking to IECEX	Ex de mb IIC T4 Ex tD A21 IP66 T 80 °C
Permissible ambient temperature	-25 °C to +55 °C (U _n ≥ 220 V) -25 °C to +50 °C (U _n < 220 V) ¹⁾
Frequency	50 - 60 Hz
Power factor cos φ	≥ 0.95
Circuit	EVG resp. EVG/CG-S
Connecting terminals	L1, L2, L3, L, N, PE; max. 2 x 6 mm ² per terminal
Insulation class	I
Lamp cap	G13 accd. to IEC 60081
Degree of protection accd. EN 60529	IP66
Cable glands/gland plates/enclosure entry holes	Ex-e cable glands M25 x 1.5 (plastic) for cables from Ø 8 - 17 mm, Option: M20 x 1.5 metal thread
Enclosure material	Glass-fibre reinforced polyester
Protective cover/protective bowl	Polycarbonate

	eLLK 92018/18	eLLK 92036	eLLK 92036/36
Rated voltage	110 - 254 V AC /	110 - 254 V AC /	110 - 254 V AC /
	110 - 250 V DC	110 - 250 V DC	110 - 250 V DC
Rated voltage CG-S	220 - 254 V AC /	220 - 254 V AC /	220 - 254 V AC /
	195 - 250 V DC	195 - 250 V DC	195 - 250 V DC
Rated current	0.18 A	0.18 A	0.34 A
	0.19 A (CG-S variant)		0.35 A (CG-S variant)
Lamp/illuminant	2 x T26 / 18 W (T8)	1 x T26 / 36 W (T8)	2 x T26 / 36 W (T8)
Rated luminous flux ²⁾	2700 lm	3350 lm	6700 lm
Light efficiency in operation	78 %	86 %	78 %
Dimensions (L x W x H)	760 x 188 x 130 mm	1360 x 188 x 130 mm	1360 x 188 x 130 mm
Weight	approx. 5.2 kg /	approx. 7.2 kg	approx. 7.4 kg /
	approx. 5.6 kg (CG-S variant)		approx. 7.7 kg (CG-S variant)

	eLLK 92058	eLLK 92058/58
Rated voltage	220 - 254 V AC /	220 - 254 V AC /
	195 - 250 V DC	195 - 250 V DC
Rated voltage CG-S	220 - 254 V AC /	220 - 254 V AC /
	195 - 250 V DC	195 - 250 V DC
Rated current	0.27 A	0.53 A / 0.54 A (CG-S variant)
Lamp/illuminant	1 x T26 / 58 W (T8)	2 x T26 / 58 W (T8)
Rated luminous flux ²⁾	5200 lm	10400 lm
Light efficiency in operation	83 %	72 %
Dimensions (L x W x H)	1660 x 188 x 130 mm	1660 x 188 x 130 mm
Weight	approx. 8.2 kg	approx. 9.1 kg / approx. 9.6 kg (CG-S variant)

¹⁾ eLLK 92058/58: max. +40 °C

²⁾ depends on used lamps

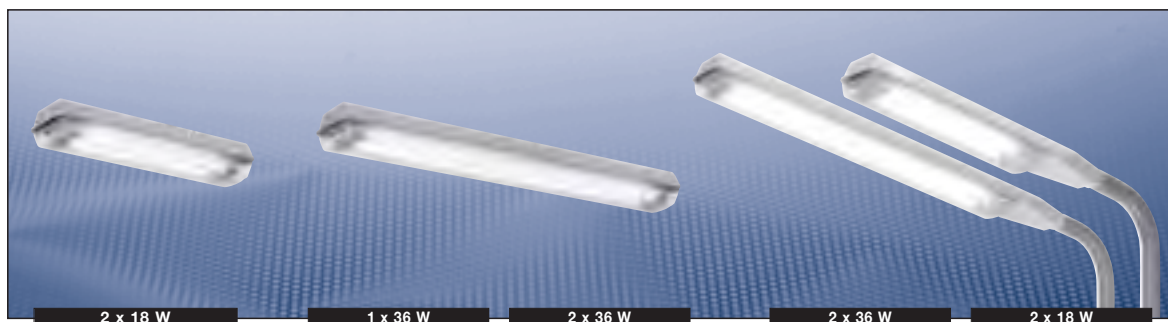


Technical data

eLLM 92018/18 | eLLM 92036/36

Marking to 94/9/EC	II 2 G Ex de IIC T4 II 2 D Ex tD A21 IP66 T80 °C
EC-Type Examination Certificate	BVS 09 ATEX E 034
IECEX-Certificate of Conformity	IECEX BVS 09.0033
Marking to IECEx	Ex de IIC T4 Ex tD A21 IP66 T80 °C
Permissible ambient temperature	-25 °C to +55 °C (U _n ≥ 220 V) -25 °C to +50 °C (U _n < 220 V)
Rated voltage	110 - 254 V AC / 110 - 250 V DC
Frequency	50 - 60 Hz
Power factor cos φ	≥ 0.95
Circuit	EVG
Connecting terminals	L1, N, PE; max. 2 x 6 mm ² per terminal
Insulation class	I
Lamp cap	G13 accd. to IEC 60081
Degree of protection accd. EN 60529	IP66
Cable glands/gland plates/enclosure entry holes	Ex-e cable glands M25 x 1.5 (plastic) for cables from Ø 8 - 17 mm
Enclosure material	Glass-fibre reinforced polyester
Protective cover/protective bowl	Polycarbonate

	eLLM 92018/18	eLLM 92036/36
Rated voltage	110 - 254 C AC / 110 - 250 V DC	
Rated current	0.18 A	0.34 A
Lamp/illuminant	2 x T26 / 18 W (T8)	2 x T26 / 36 W (T8)
Rated luminous flux ¹⁾	2700 lm	6700 lm
Light efficiency in operation	78 %	78 %
Dimensions (L x W x H)	1060 x 188 x 130 mm	1660 x 188 x 130 mm
Pole socket	Ø 44 mm x 150 mm	Ø 44 mm x 150 mm
Weight	approx. 7.0 kg	approx. 9.5 kg



Ordering details

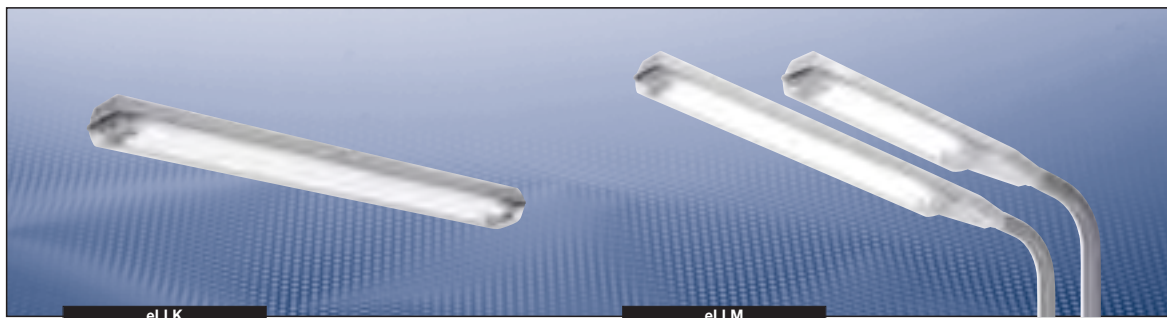
Type	Terminals	Through-wiring		Cable glands ³⁾	Plugs	Order No.
		single-ended	double-ended			
eLLK 92018/18 (2 x 18 W)						
1/6-1	1 x 6	x	–	2 x M25 x 1.5	1 x blanking	1 2265 875 101
2/6-2	2 x 6	–	x	2 x M25 x 1.5	2 x threaded	1 2265 875 103
1/6-1 M ¹⁾	1 x 6	x	–	2 x M20 x 1.5	1 x threaded	1 2265 875 109
2/6-2 M ¹⁾	2 x 6	–	x	4 x M20 x 1.5	2 x threaded	1 2265 875 111
eLLK 92018/18 (2 x 18 W)						
Level gauge P2	1 x 6	x	–	2 x M25 x 1.5	1 x blanking	1 2265 875 126
eLLK 92018/18 CG-S²⁾ (2 x 18 W)						
2/6-2	2 x 6	–	x	2 x M25 x 1.5	2 x threaded	1 2265 881 103
2/6-2M ¹⁾	2 x 6	–	x	4 x M20 x 1.5	2 x threaded	1 2265 881 211
eLLM 92018/18 (2 x 18 W)						
1/6-1	1 x 3	–	–	1 x M25 x 1.5		1 2268 875 101
eLLK 92036 (1 x 36 W)						
1/6-1	1 x 6	x	–	2 x M25 x 1.5	1 x blanking	1 2263 875 101
2/6-2	2 x 6	–	x	2 x M25 x 1.5	2 x threaded	1 2263 875 103
1/6-1 M	1 x 6	x	–	2 x M20 x 1.5	1 x threaded	1 2263 875 111
eLLK 92036 (1 x 36 W)						
Level gauge P3 1/6-1	1 x 6	x	–	2 x M25 x 1.5	1 x blanking	1 2263 875 125
eLLK 92036/36 (2 x 36 W)						
1/6-1	1 x 6	x	–	2 x M25 x 1.5	1 x blanking	1 2266 875 101
2/6-2	2 x 6	–	x	2 x M25 x 1.5	2 x threaded	1 2266 875 103
1/6-1 M ¹⁾	1 x 6	x	–	2 x M20 x 1.5	1 x threaded	1 2266 875 109
2/6-2 M ¹⁾	2 x 6	–	x	4 x M20 x 1.5	2 x threaded	1 2266 875 111
eLLK 92036/36 CG-S²⁾ (2 x 36 W)						
2/6-2	2 x 6	–	x	2 x M25 x 1.5	2 x threaded	1 2266 881 103
2/6-2M ¹⁾	2 x 6	–	x	4 x M20 x 1.5	2 x threaded	1 2266 881 211
eLLM 92036/36 (2 x 36 W)						
1/6-1	1 x 3	–	–	1 x M25 x 1.5		1 2269 875 101
eLLK 92058 (1 x 58 W)						
1/6-1	1 x 6	x	–	2 x M25 x 1.5	1 x blanking	1 2264 875 101
2/6-2	2 x 6	–	x	2 x M25 x 1.5	2 x threaded	1 2264 875 103
2/6-2 M ¹⁾	2 x 6	–	x	4 x M20 x 1.5	2 x threaded	1 2264 875 111
eLLK 92058/58 (2 x 58 W)						
1/6-1	1 x 6	x	–	2 x M25 x 1.5	1 x blanking	1 2267 875 101
2/6-2	2 x 6	–	x	2 x M25 x 1.5	2 x threaded	1 2267 875 103
2/6-2 M ¹⁾	2 x 6	–	x	4 x M20 x 1.5	2 x threaded	1 2267 875 111
eLLK 92058/58 CG-S²⁾ (2 x 58 W)						
2/6-2	2 x 6	–	x	2 x M25 x 1.5	2 x threaded	1 2267 881 103
2/6-2 M ¹⁾	2 x 6	–	x	4 x M20 x 1.5	2 x threaded	1 2267 881 211

¹⁾ M: with metal thread, without cable gland

²⁾ CG-S: design single monitored emergency light fitting for use in CEAG emergency light supply unit

³⁾ With dustcover if entry/thread is not closed

Scope of delivery without lamp and fixing accessories.



Accessories

Lamp for luminaire eLLK92/eLLM92			
Type of lamp socket/diameter	Power	Luminous flux light colour	Order No.
Bi-pin socket G13 T26/Ø 26 mm (T8) G13-60081-IEC-2220-1	18 W	1350 lm white	3 2475 900 001
Bi-pin socket G13 T26/Ø 26 mm (T8) G13-60081-IEC-2420-1	36 W	3350 lm white	3 2475 900 002
Bi-pin socket G13 T26/Ø 26 mm (T8) G13-60081-IEC-2520-1	58 W	5200 lm white	3 2475 900 003
Aura-Ultimate T26/Ø 26 mm (T8) Longlife G13-socket	18 W 36 W 58 W	1300 lm white 3350 lm white 5200 lm white	3 2475 900 087 3 2475 900 088 on request
Aura Super Ex T-HS 26/Ø 26 mm ¹⁾ Single pin cap Fa6	18 W 36 W 58 W	1150 lm white 3000 lm white 4800 lm white	3 2475 900 084 3 2475 900 085 on request

Series eLLK 92... and eLLM 92...	
Type	Order No.
Hexagon screw SW 13	3 2485 000 005

Series eLLM 92018/18 and eLLM 92036/36	
Type	Order No.
Single sided through wiring 2/6 with 2 entries M25, incl. terminals and mounting material	2 2218 602 000

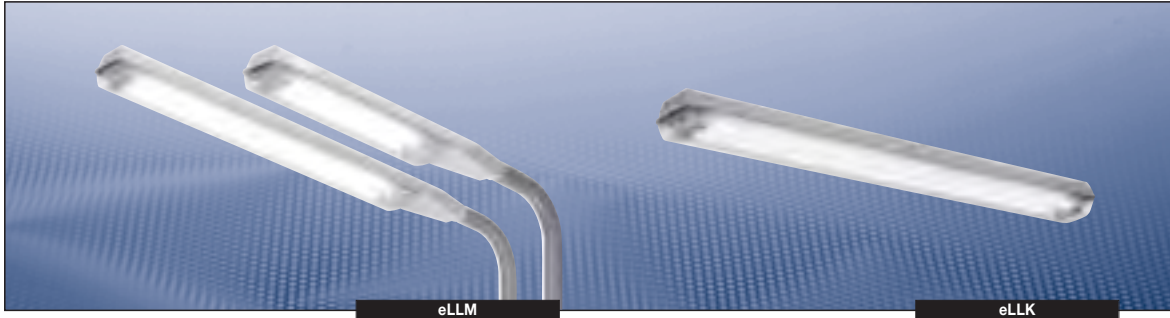
Fixing materials eLLK 92			
Type/code	Corrosion protection	Qty. per light fitting	Order No.
Eye bolt A2	galvanized	2	2 2480 002 000
Hexagon screw S4	stainless steel	2	2 2480 054 000
Ceiling mounting bracket D92 incl. screws and washer	stainless steel	2	2 2480 092 000

Fixing materials					
Type/code	Corrosion protection	for pipes DIN	Outer Ø D (mm)	Qty. per light fitting	Order No.
Pipe clamp					
R12	hot galvanized	1 1/4"	38 - 42	2	2 2480 462 000
R14	CrNi	1 1/4"	38 - 42	2	2 2480 464 000
R22	hot galvanized	1 1/2"	47 - 51	2	2 2480 472 000
R24	CrNi	1 1/2"	47 - 51	2	2 2480 474 000
R32	hot galvanized	2"	56 - 60	2	2 2480 482 000
R34	CrNi	2"	56 - 60	2	2 2480 484 000
Wall bracket W27	hot galvanized		42.4	1	2 2483 027 000
Luminaire wall suspension 30° incl. screws and washer	hot galvanized			2	2 2480 000 122

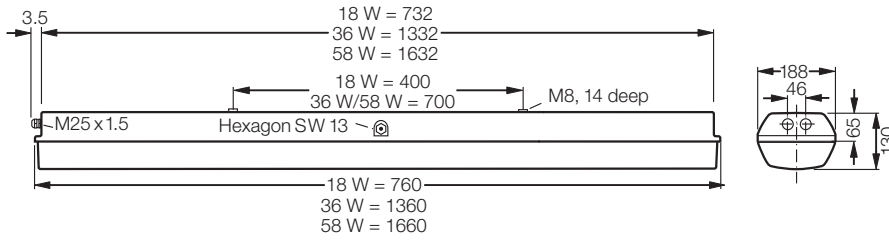
¹⁾ For luminaires eLLK 923.../.. and eLLM 923.../.. with single pin caps Fa6

Metal cable glands M20/M25 see page 8.10.

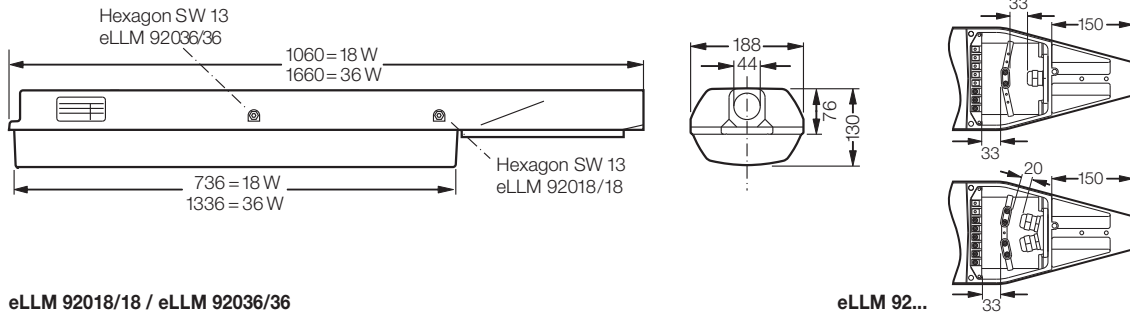
Complete Mounting Systems see page 2.70 to 2.76.



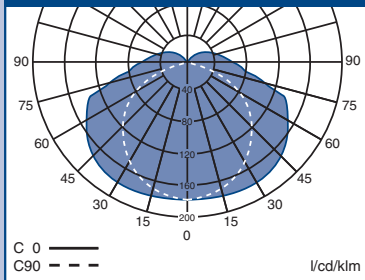
Dimension drawing | Polar curve | Accessories



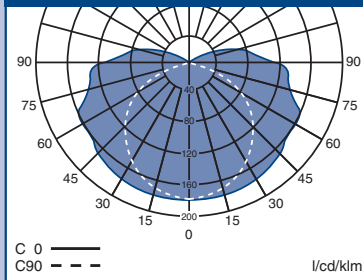
eLLK 92018/18 / eLLK 92036 / eLLK 92036/36 / eLLK 92058 / eLLK 92058/58



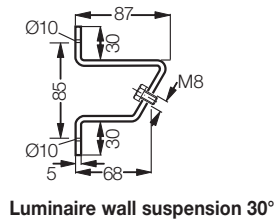
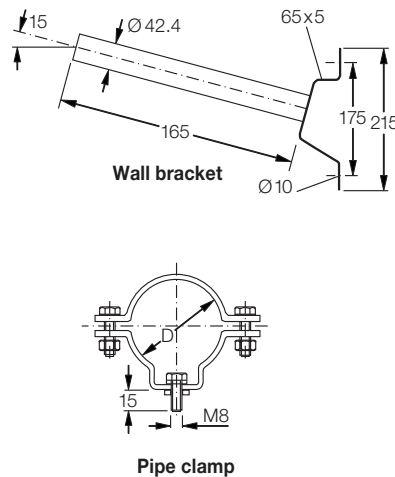
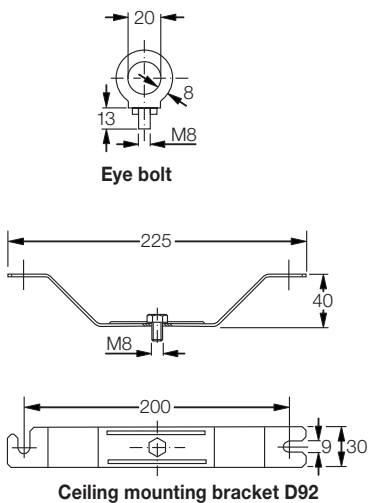
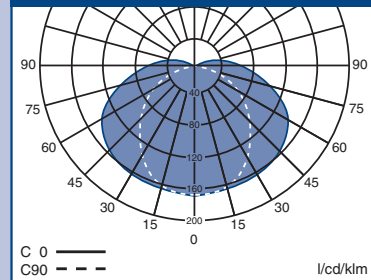
Polar curve
eLLK 92018/18 / eLLK 92036/36



Polar curve
eLLK 92036 / eLLK 92058



Polar curve
eLLK 92058/58



Dimensions in mm

1
2
3
4
5
6
7
8
9
10
11
12